



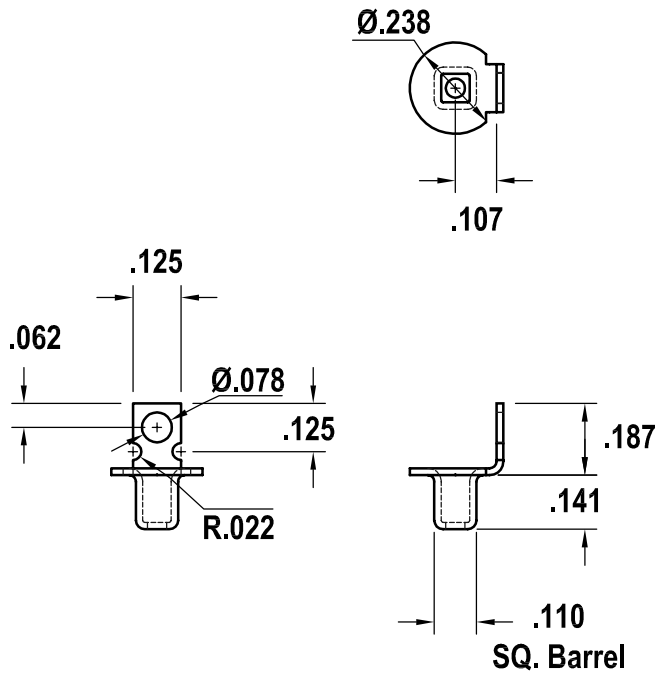
Amity Die & Stamping Co.



**A-100 B1 + B2**

Terminal

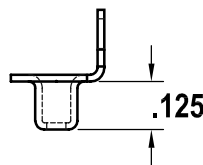
Terminal



**A-100 B1**



**A-100 B2**



SCALE: 2:1

PART NUMBER	MATERIAL BRASS
A-100 B-1	.018
A-100 B-2	.018

NOTE: ANGULAR TOLERANCES  $\pm 2.5^\circ$