

1093

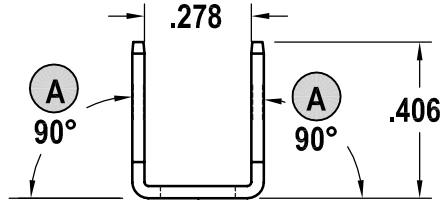
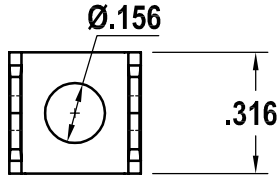
Terminal



Terminal

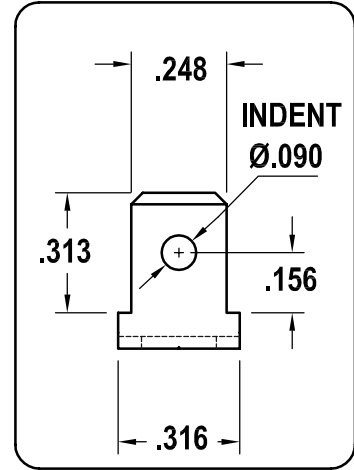


OPTION 5 + 6
90°

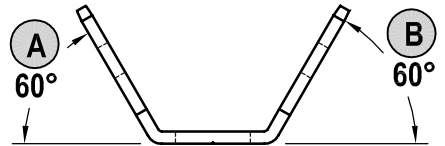


SPADE TYPE

(A)

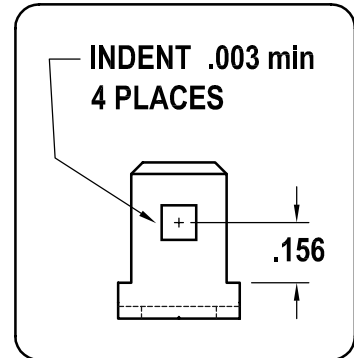


OPTION 7 + 8
60°

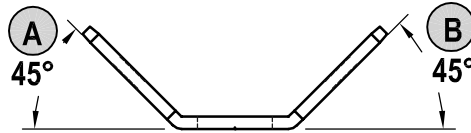


SPADE TYPE

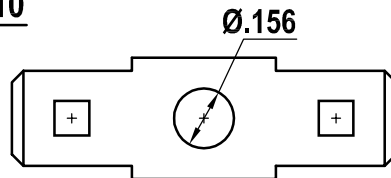
(B)



OPTION 1 + 2
45°



OPTION 9 + 10
Flat



SCALE: 2:1

PART NUMBER	MATERIAL		OPTION	SPADE	∠ Angle	∠ Angle
	BRASS	STEEL			(A)	(B)
1093	.032	.032	1	A	45°	45°
			2	B	45°	45°
			3	A	30°	30°
			4	B	30°	30°
			5	A	90°	90°
			6	B	90°	90°
			7	A	60°	60°
			8	B	60°	60°
			9	A	Flat	Flat
			10	B	Flat	Flat