

1011

Terminal

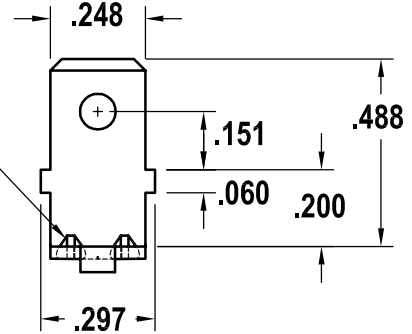
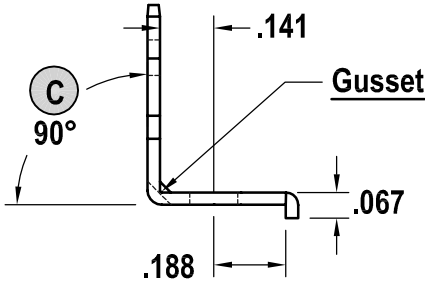
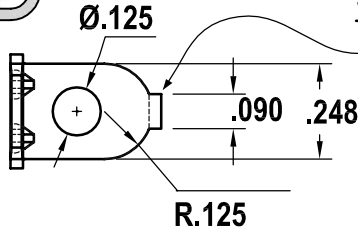
Terminal



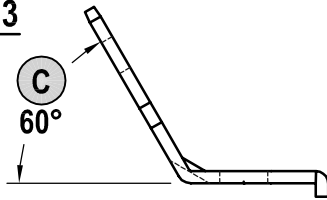
SPADE TYPE



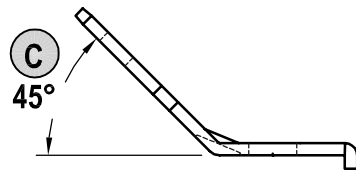
OPTION 1
90°



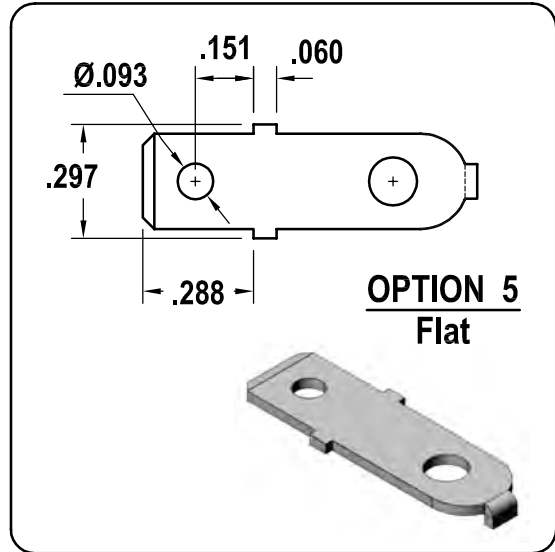
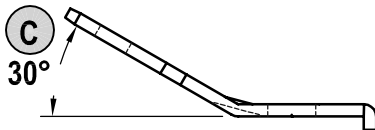
OPTION 3
60°



OPTION 7
45°

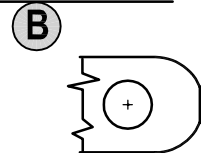


OPTION 9
30°

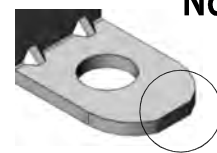


SCALE: 2:1

SPADE TYPE



No Tab



PART NUMBER	MATERIAL BRASS	OPTION	TYPE	Angle C
1011	.032	1	A	90°
		2	B	90°
		3	A	60°
		4	B	60°
		5	A	Flat
		6	B	Flat
		7	A	45°
		8	B	45°
		9	A	30°
		10	B	30°

27

CALL TO ORDER - Phone: 847-680-6600

FAX: 847-680-6677