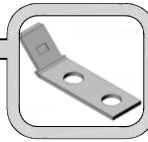




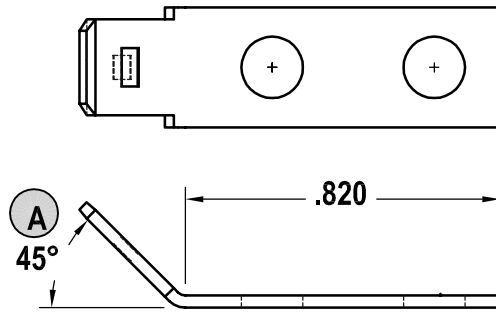
Amity Die & Stamping Co.



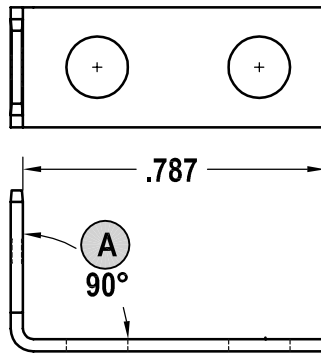
A-118

Terminal

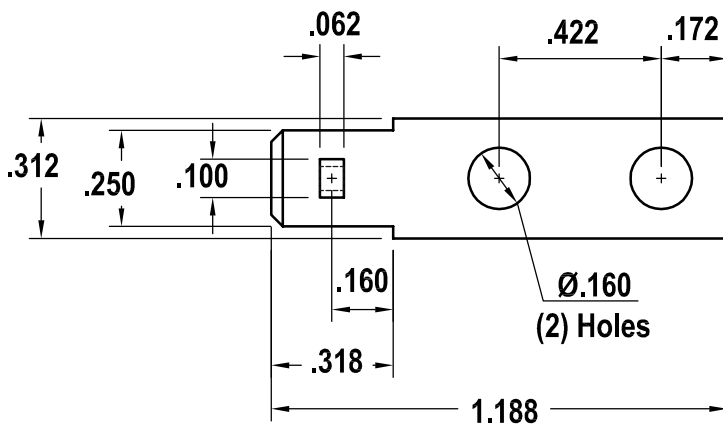
Terminal



OPTION 1
45°



OPTION 2
90°



OPTION 3
Flat



SCALE: 2:1

| PART NUMBER | MATERIAL | | OPTION | ∠ Angle |
|-------------|----------|-------|--------|---------|
| | BRASS | STEEL | | (A) |
| A-118 | .032 | .032 | 1 | 45° |
| | | | 2 | 90° |
| | | | 3 | Flat |

CALL TO ORDER - Phone: 847-680-6600

FAX: 847-680-6677