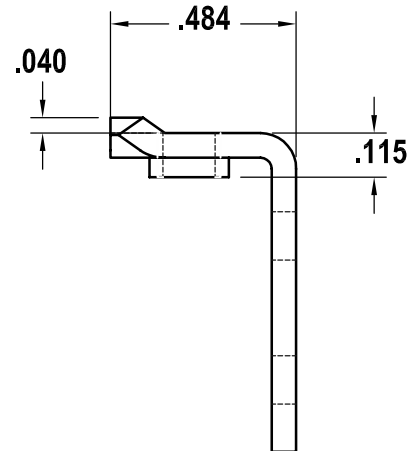
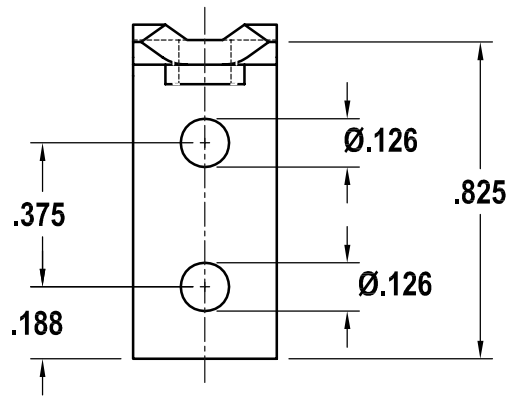
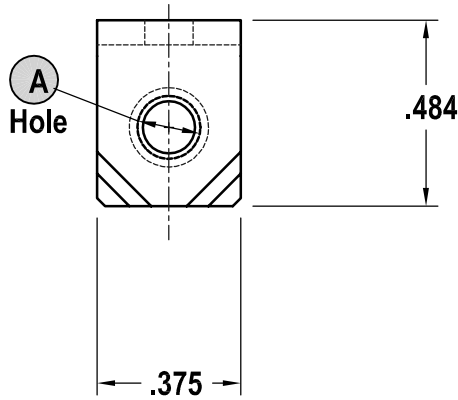


A-113

Screw Terminal



Screw Terminal



SCALE: 2:1

PART NUMBER	MATERIAL		OPTION	HOLE
	BRASS	STEEL		Ⓐ
A-113	.064	.064	1	Hole for 8-32 Tap
			2	Hole for 10-32 Tap