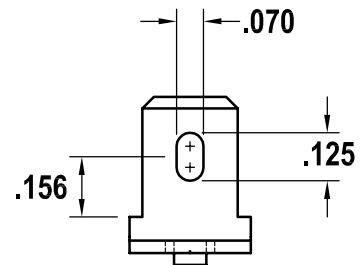
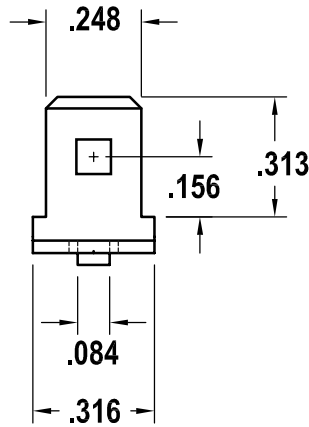
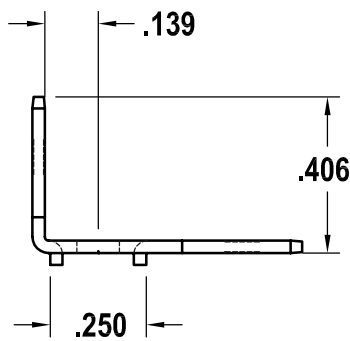
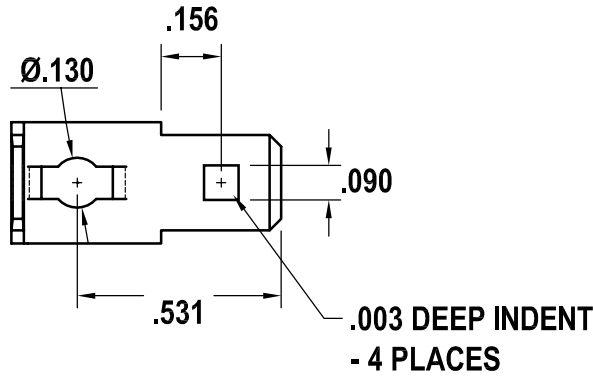


**OPTION 1
INDENT**

**OPTION 2
SLOT**



SCALE: 2:1

PART NUMBER	MATERIAL		OPTION	SPADE
	BRASS	STEEL		
1035	.032	.032	1	INDENT
			2	SLOT