

# 1034

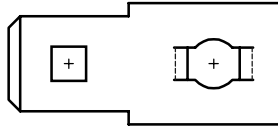
## Terminal



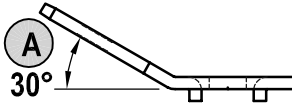
Terminal



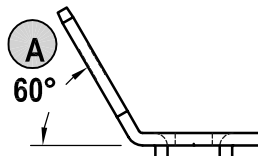
**OPTION 1 + 6**  
Flat



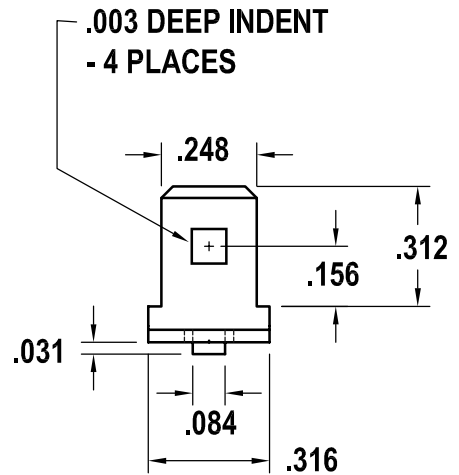
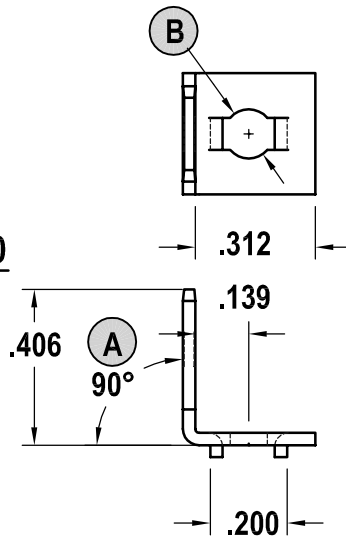
**OPTION 2 + 7**  
30°



**OPTION 4 + 9**  
60°



**OPTION 5 + 10**  
90°



SCALE: 2:1

PART NUMBER	MATERIAL		OPTION	Angle	B
	BRASS	STEEL		A	
1034	.032	.032	1	Flat	.128
			2	30°	.128
			3	45°	.128
			4	60°	.128
			5	90°	.128
			6	Flat	.202
			7	30°	.202
			8	45°	.202
			9	60°	.202
			10	90°	.202