

**1004**

**Terminal**



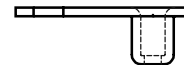
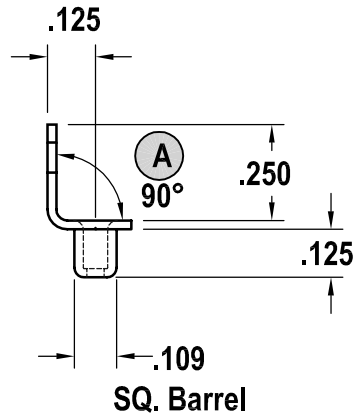
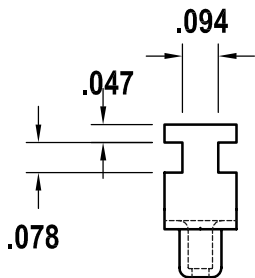
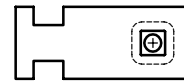
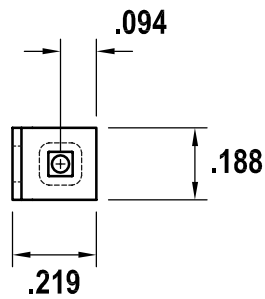
**Terminal**



**OPTION 1**  
**90°**



**OPTION 2**  
**Flat**



SCALE: 2:1

PART NUMBER	MATERIAL BRASS	OPTION	∠ Angle (A)
1004	.023	1	90°
		2	Flat