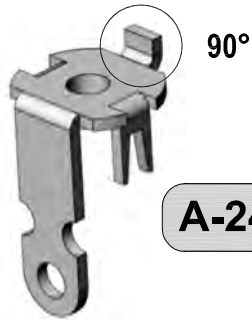
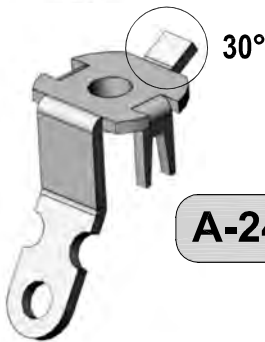


A-246 - A-249

Binding Post



A-246



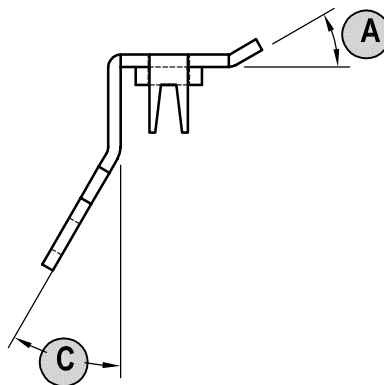
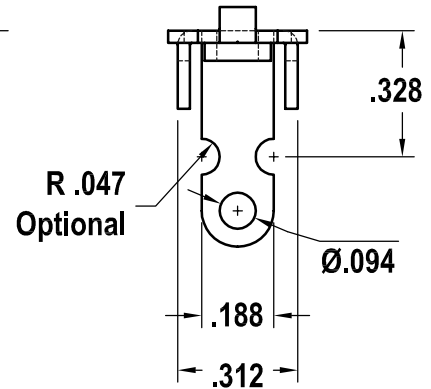
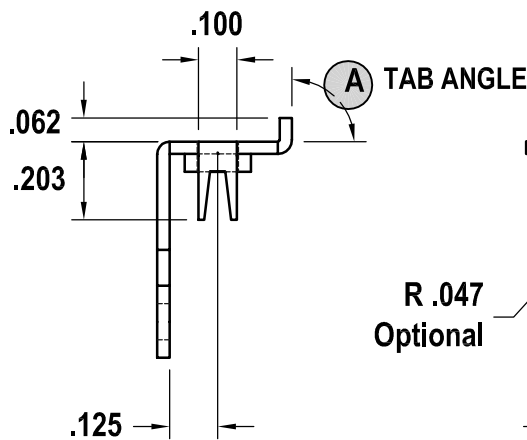
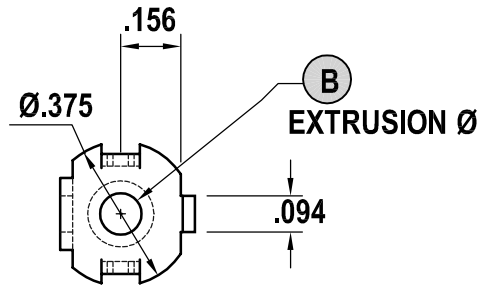
A-247



A-248



A-249



SCALE: 2:1

PART NUMBER	MATERIAL		TAB ANGLE A	OPTION	EXTRUSION Ø B	Angle C
	BRASS	STEEL				
A-246	.032	.032	90°	1	.108 Ø Hole	Flat
A-247	.032	.032	30°	2	.108 Ø Hole	30°
				3	.108 Ø Hole	15°
A-248	.032	.032	15°	4	.120 Ø Hole	Flat
				5	.120 Ø Hole	30°
A-249	.032	.032	NO Tab	6	.120 Ø Hole	15°

Binding Post