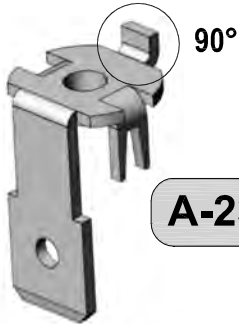
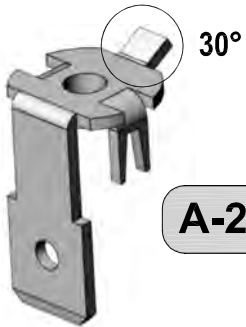


# A-230 - A-233

## Binding Post



**A-230**



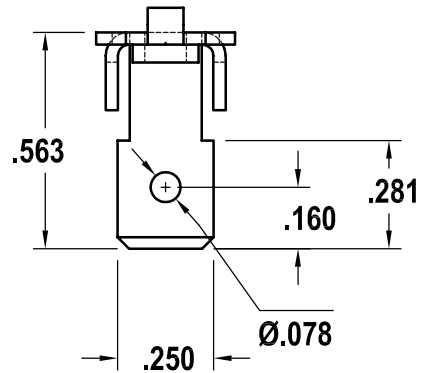
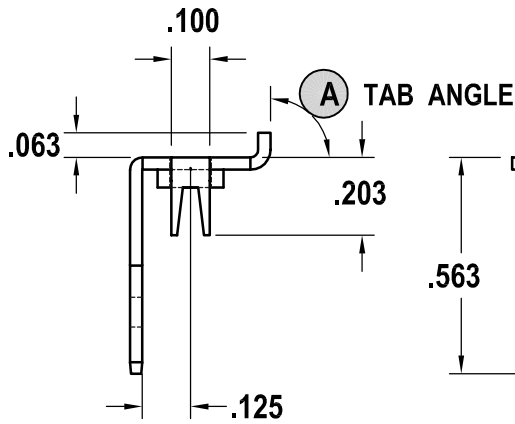
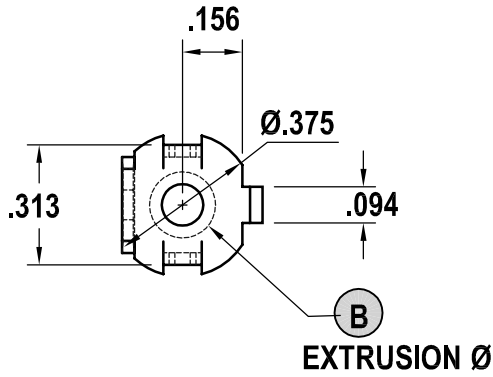
**A-231**



**A-232**



**A-233**



SCALE: 2:1

PART NUMBER	MATERIAL		TAB ANGLE A	OPTION	EXTRUSION Ø B
	BRASS	STEEL			
A-230	.032	.032	90°	1	.108 Ø Hole
A-231	.032	.032	30°		
A-232	.032	.032	15°		
A-233	.032	.032	NO Tab	2	.120 Ø Hole

Binding Post