

A-214 - 217

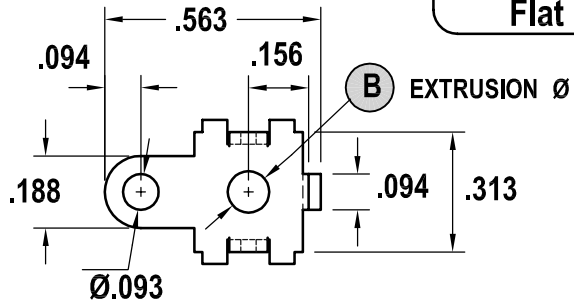
Binding Post



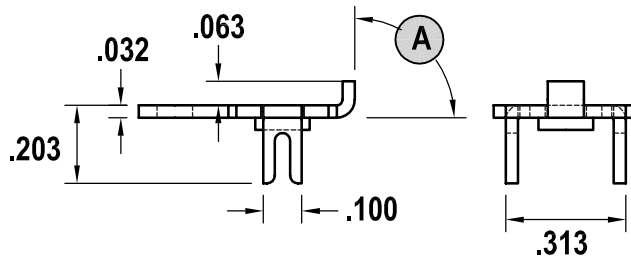
A-214
OPTION 1 -
Flat



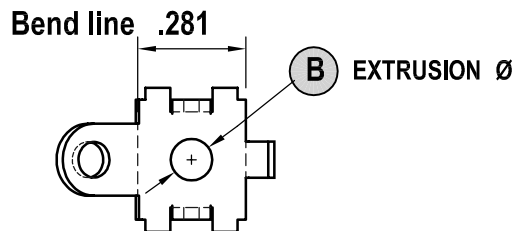
A-214
90°



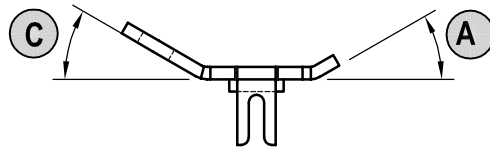
A-215
30°



A-216
15°



A-217
NO TAB



SCALE: 2:1

PART NUMBER	MATERIAL		TAB ANGLE A	OPTION	EXTRUSION Ø B	Angle C
	BRASS	STEEL				
A-214	.032	.032	90°	1	.108 Ø Hole	Flat
A-215	.032	.032	30°	2	.108 Ø Hole	30°
A-216	.032	.032	15°	3	.108 Ø Hole	15°
A-217	.032	.032	NO Tab	4	.120 Ø Hole	Flat
				5	.120 Ø Hole	30°
				6	.120 Ø Hole	15°

Binding Post